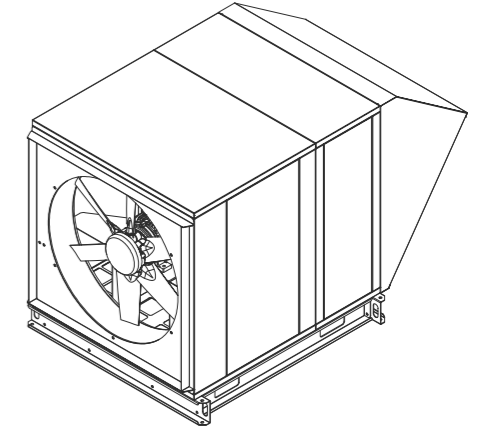
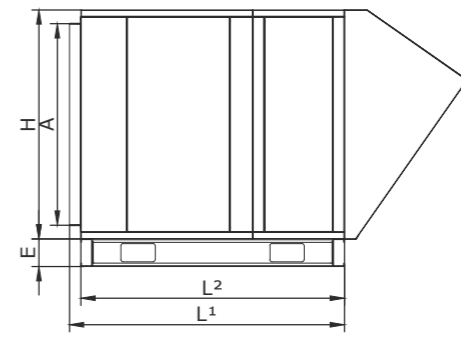
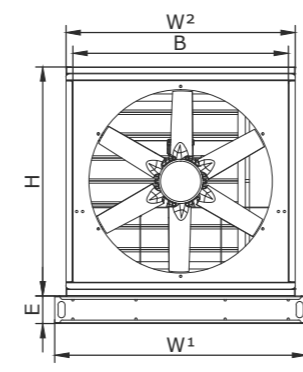


**COMPACT  
PRESSURIZATION  
FANS** ENERGY  
EFFICIENT  
LONG LIFE



**TECHNICS**

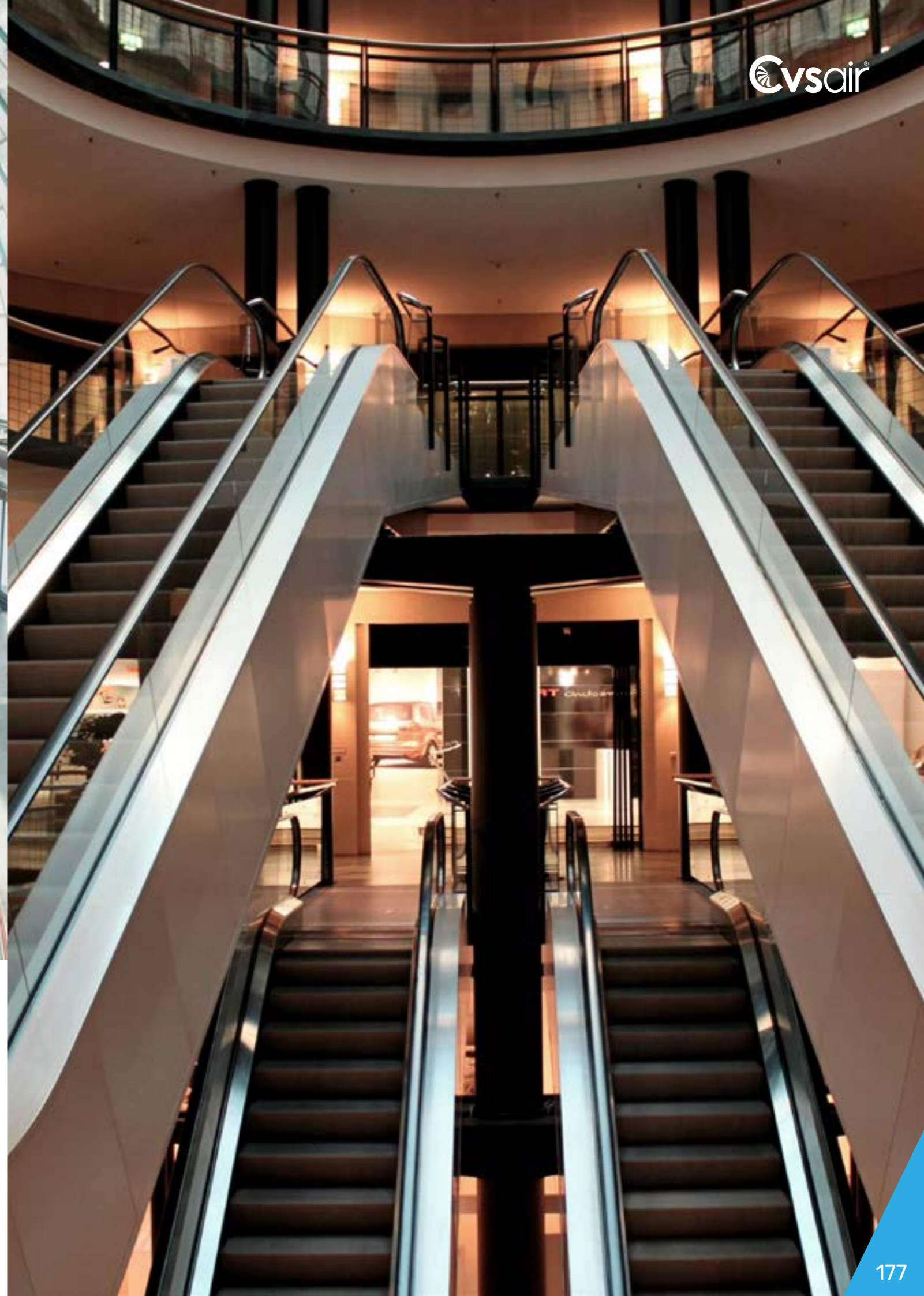
MODEL	CVS-MBF-Ø800-5,5/4P	CVS-MBF-Ø800-7,5/4P
VOLTAGE (V)	400	400
FREQUENCY (Hz)	50	50
POWER (kW)	5,5	7,5
CURRENT (A)	11,8	15,8
SPEED (rpm)	1430	1430
AIR FLOW (m³/h)	32560	38420

**DIMENSIONS**

MODEL	L¹	L²	W¹	W²	H	A	B	E
CVS-MBF-Ø800	1200	1150	1100	1000	1000	880	940	120

**PRODUCT FEATURES**

- Akustik termal izolasyonlu hücre Acoustic thermal box
- On-off bakım şalterli On-off maintenance switch
- Frekans invertörlü Frequency inverter
- Fark basınç ve duman sensörü Pressure difference and smoke sensor
- Yağmur koruma sacı Rain protection hood
- Tel kafes Wire guard
- Motorlu damper Motorized damper
- Polyamid pervane Polyamide blade
- Yangın yönetmeliğine tam uyumlu In accordance with fire regulation



PERFORMANCES

MODEL	AIR FLOW ( m <sup>3</sup> /h )								
	0 Pa	100 Pa	200 Pa	300 Pa	400 Pa	500 Pa	600 Pa	700 Pa	800 Pa
CVS-MBF-Ø800-5,5/4P	32560	30000	27000	24000	18600				
CVS-MBF-Ø800-7,5/4P	38420	35500	32500	28500	21500				