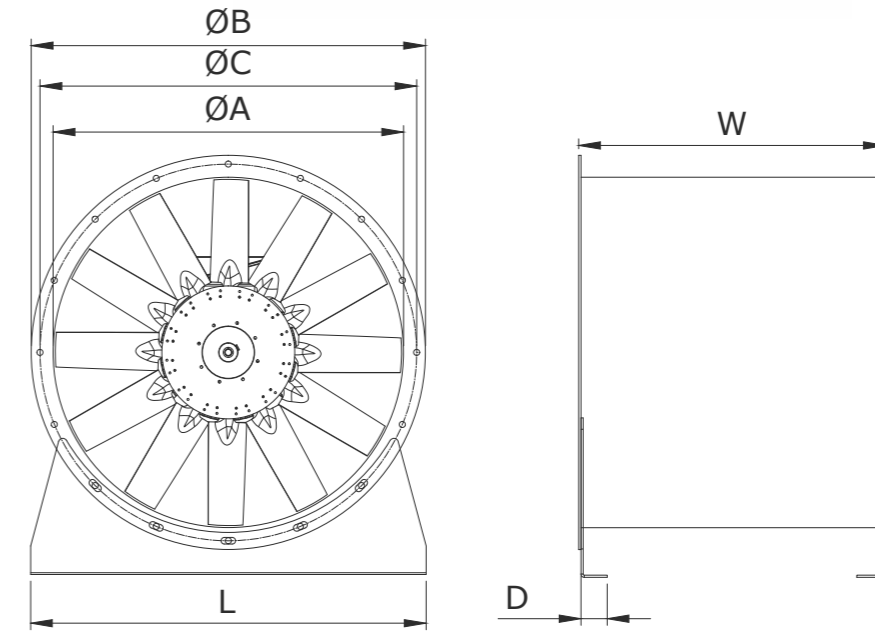
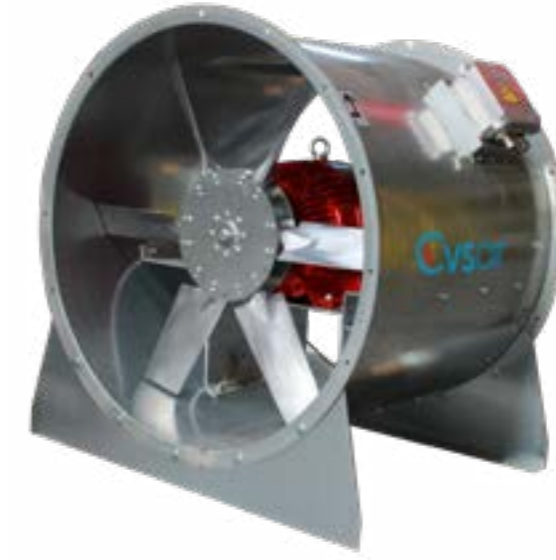


# AXIAL SMOKE F400 FANS

ENERGY  
EFFICIENT  
LONG LIFE



## PRODUCT FEATURES

- Sıcak daldırma galvanizli gövde Hot dip galvanised case
- Aerofoil kesitli alüminyum kanatlar Aerofoil-sectioned aluminium blades
- EN yüksek verim için ayarlanabilir kanat açısı Adjustable blade angles for maximum efficiency
- Frekans invertörü ile çalışmaya uygun trifaze motorlar (F400) Three-phased motors suitable to operate with frequency inverters (F400)
- Çift devirli motor seçeneği Double speed motor option
- Hava akış yönü motordan pervaneye şeklinde Air flow from motor to impeller
- EN 12101-3 standardına uygun, sertifikalı Certificated according to EN 12101-3
- Aksiyal duman fanları sıcak daldırma galvanizli gövde ile aerofoil kesitli alüminyum kanat yapısı sayesinde yüksek debili ve basınçlı alanlar için uygun şartlarda dizayn edilmiştir Axial smoke fans are designed to operate in high-airflow and pressurized areas with hot-dip galvanized body and aerofoil-sectioned aluminium blades
- Duman tahliye gerektiren ortamlarda H izolasyon sınıfı motorlar ile EN12101-3 standardına göre ve F400 sıcaklık dayanım sınıfında sertifikalıdır.

- Talep edilmesi durumunda çift yönlü çalışmaya uygun dizayn yapılabilmektedir. Aksiyal fanlarda frekans invertörü ile çalışmaya uygun trifaze motorlar kullanılmaktadır Axial smoke exhaust fans with H class isolated motors, are certificated of F400 temperature resistance class according to EN-12101-3 to operate in where smoke extraction is required. If requested, fans can be designed to operate as reversible. Axial fans are equipped with three-phased motors suitable for operation with frequency inverters
- Aksiyal fanlar yatay ve dikey montaj ile dış ortamda çalışmaya uygun olarak dizayn edilebilmekte, montajında titreşim sönümleyiciler kullanılmakta ayrıca hava emiş ve atış tarafında podlu ve podsuz tip susturucu kullanılabilme imkân sağlayacak bağlantı flanşlarıyla birlikte üretilmektedir Axial fans can be designed to work on the outside with horizontal and vertical installation, vibration absorber can be used in assembly and also with connection flanges which enable to use pod and podless sound attenuator on air suction and discharge side
- 60 Hz seçeneği mevcuttur 60 Hz option is available

## DIMENSIONS

MODEL	A	B	C	D	E	F
CVS-Ø400	400	480	450	500	496	50
CVS-Ø450	450	530	500	500	560	50
CVS-Ø500	500	600	560	500	600	50
CVS-Ø560	560	660	620	500	662	50
CVS-Ø630	630	730	690	700	727	50
CVS-Ø710	710	810	770	700	806	50
CVS-Ø800	800	900	860	700	903	60
CVS-Ø900	900	1000	970	800	996	60
CVS-Ø1000	1000	1100	1070	800	1096	60
CVS-Ø1120	1120	1220	1190	900	1216	60
CVS-Ø1250	1250	1370	1320	900	1250	60

\*All dimensions are in mm.



#### TECHNICS

MODEL	CVS-Ø400-0,55/2P	CVS-Ø400-0,75/2P	CVS-Ø400-1,1/2P	CVS-Ø400-1,5/2P	CVS-Ø400-2,2/2P
VOLTAGE (V)	400	400	400	400	400
FREQUENCY (Hz)	50	50	50	50	50
POWER (kW)	0,55	0,75	1,1	1,5	2,2
CURRENT (A)	1,27	1,9	2,55	3,45	4,94
SPEED (rpm)	2780	2800	2800	2835	2840
AIR FLOW (m³/h)	6000	7000	8000	9000	10500
SOUND PL (dB) 3m	63	64	64	66	68
WEIGHT (Kg)	36	48	49	53	56
WIRING DIAGRAM	Y	Y	Y	Y	Y

MODEL	CVS-Ø450-1,1/2P	CVS-Ø450-1,5/2P	CVS-Ø450-2,2/2P	CVS-Ø450-3/2P
VOLTAGE (V)	400	400	400	400
FREQUENCY (Hz)	50	50	50	50
POWER (kW)	1,1	1,5	2,2	3
CURRENT (A)	2,55	3,45	4,94	6,5
SPEED (rpm)	2800	2835	2840	2850
AIR FLOW (m³/h)	9500	11500	12500	14250
SOUND PL (dB) 3m	62	66	67	69
WEIGHT (Kg)	53	58	60	69
WIRING DIAGRAM	Y	Y	Y	Y

#### TECHNICS

MODEL	CVS-Ø500-1,5/2P	CVS-Ø500-2,2/2P	CVS-Ø500-3/2P	CVS-Ø500-4/2P	CVS-Ø500-5,5/2P
VOLTAGE (V)	400	400	400	400	400
FREQUENCY (Hz)	50	50	50	50	50
POWER (kW)	1,5	2,2	3	4	5,5
CURRENT (A)	3,45	4,94	6,5	8,2	11,3
SPEED (rpm)	2835	2840	2850	2850	2870
AIR FLOW (m³/h)	11000	13000	15500	17000	20000
SOUND PL (dB) 3m	63	66	69	71	73
WEIGHT (Kg)	69	71	80	84	101
WIRING DIAGRAM	Y	Y	Y	D	D or Y-D

MODEL	CVS-Ø560-2,2/2P	CVS-Ø560-3/2P	CVS-Ø560-4/2P	CVS-Ø560-5,5/2P	CVS-Ø560-7,5/2P
VOLTAGE (V)	400	400	400	400	400
FREQUENCY (Hz)	50	50	50	50	50
POWER (kW)	2,2	3	4	5,5	7,5
CURRENT (A)	4,94	6,5	8,2	11,3	15,4
SPEED (rpm)	2840	2850	2850	2870	2890
AIR FLOW (m³/h)	14000	17000	20500	23000	26500
SOUND PL (dB) 3m	65	68	71	73	75
WEIGHT (Kg)	77	85	89	106	111
WIRING DIAGRAM	Y	Y	D	D or Y-D	D or Y-D



#### TECHNICS

MODEL	CVS-0630-5,5/2P	CVS-0630-7,5/2P	CVS-0630-11/2P	CVS-0630-15/2P	CVS-0630-18,5/2P
VOLTAGE (V)	400	400	400	400	400
FREQUENCY (Hz)	50	50	50	50	50
POWER (kW)	5,5	7,5	11	15	18,5
CURRENT (A)	11,3	15,4	22,4	28,5	35
SPEED (rpm)	2870	2890	2935	2940	2940
AIR FLOW (m³/h)	25500	30000	27500	31000	34250
SOUND PL (dB) 3m	72	76	77	83	85
WEIGHT (Kg)	123	128	176	185	207
WIRING DIAGRAM	D or Y-D	D or Y-D	D or Y-D	D or Y-D	D or Y-D

MODEL	CVS-0710-1,5/4P	CVS-0710-2,2/4P	CVS-0710-3/4P	CVS-0710-4/4P	CVS-0710-5,5/4P
VOLTAGE (V)	400	400	400	400	400
FREQUENCY (Hz)	50	50	50	50	50
POWER (kW)	1,5	2,2	3	4	5,5
CURRENT (A)	3,6	5,2	6,8	8,6	11,8
SPEED (rpm)	1385	1400	1410	1425	1430
AIR FLOW (m³/h)	19000	23000	25000	28000	30000
SOUND PL (dB) 3m	65	67	69	71	71
WEIGHT (Kg)	90	93	97	105	118
WIRING DIAGRAM	Y	Y	Y	D	D or Y-D

#### TECHNICS

MODEL	CVS-0800-2,2/4P	CVS-0800-3/4P	CVS-0800-4/4P	CVS-0800-5,5/4P	CVS-0800-7,5/4P
VOLTAGE (V)	400	400	400	400	400
FREQUENCY (Hz)	50	50	50	50	50
POWER (kW)	2,2	3	4	5,5	7,5
CURRENT (A)	5,2	6,8	8,6	11,8	15,8
SPEED (rpm)	1400	1410	1425	1430	1430
AIR FLOW (m³/h)	26000	30500	34000	38000	40000
SOUND PL (dB) 3m	67	69	71	73	IP 55
WEIGHT (Kg)	127	133	148	157	73
WIRING DIAGRAM	Y	Y	D	D or Y-D	D or Y-D

MODEL	CVS-0900-4/4P	CVS-0900-5,5/4P	CVS-0900-7,5/4P	CVS-0900-11/4P	CVS-0900-15/4P
VOLTAGE (V)	400	400	400	400	400
FREQUENCY (Hz)	50	50	50	50	50
POWER (kW)	4	5,5	7,5	11	15
CURRENT (A)	8,6	11,8	15,8	22,6	30,5
SPEED (rpm)	1425	1430	1430	1455	1460
AIR FLOW (m³/h)	40000	44000	47500	52500	55000
SOUND PL (dB) 3m	70	71	73	76	76
WEIGHT (Kg)	157	171	182	244	259
WIRING DIAGRAM	D	D or Y-D	D or Y-D	D or Y-D	D or Y-D

TECHNICS

MODEL	CVS-Ø1000-7,5/4P	CVS-Ø1000-11/4P	CVS-Ø1000-15/4P	CVS-Ø1000-18,5/4P	CVS-Ø1000-22/4P
VOLTAGE (V)	400	400	400	400	400
FREQUENCY (Hz)	50	50	50	50	50
POWER (kW)	7,5	11	15	18,5	22
CURRENT (A)	15,8	22,6	30,5	38	44
SPEED (rpm)	1430	1455	1460	1460	1455
AIR FLOW (m³/h)	56000	58000	69500	66000	74000
SOUND PL (dB) 3m	73	74	78	77	79
WEIGHT (Kg)	187	249	260	305	313
WIRING DIAGRAM	D or Y-D	D or Y-D	D or Y-D	D or Y-D	D or Y-D

MODEL	CVS-Ø1120-15/4P	CVS-Ø1120-18,5/4P	CVS-Ø1120-22/4P	CVS-Ø1120-30/4P	CVS-Ø1120-37/4P
VOLTAGE (V)	400	400	400	400	400
FREQUENCY (Hz)	50	50	50	50	50
POWER (kW)	15	18,5	22	30	37
CURRENT (A)	30,5	38	44	57	70
SPEED (rpm)	1460	1460	1455	1460	1465
AIR FLOW (m³/h)	75000	81000	87000	98000	108000
SOUND PL (dB) 3m	76	78	79	81	83
WEIGHT (Kg)	276	317	327	365	455
WIRING DIAGRAM	D or Y-D	D or Y-D	D or Y-D	D or Y-D	D or Y-D

TECHNICS

MODEL	CVS-Ø1250-18,5/4P	CVS-Ø1250-22/4P	CVS-Ø1250-30/4P	CVS-Ø1250-37/4P	CVS-Ø1250-45/4P
VOLTAGE (V)	400	400	400	400	400
FREQUENCY (Hz)	50	50	50	50	50
POWER (kW)	18,5	22	30	37	45
CURRENT (A)	38	44	57	70	84
SPEED (rpm)	1460	1455	1460	1465	1465
AIR FLOW (m³/h)	86000	93000	106000	122000	128000
SOUND PL (dB) 3m	74	79	79	82	82
WEIGHT (Kg)	333	345	380	467	515
WIRING DIAGRAM	D or Y-D	D or Y-D	D or Y-D	D or Y-D	D or Y-D



**PERFORMANCES**

MODEL	AIRFLOW ( m³/h )						
	0 Pa	150 Pa	300 Pa	450 Pa	600 Pa	750 Pa	900 Pa
CVS-Ø400-0,55/2P F400	6000	5250	4000				
CVS-Ø400-0,75/2P F400	7000	6200	4900	2500			
CVS-Ø400-1,1/2P F400	8000	7300	5800				
CVS-Ø400-1,5/2P F400	9000	7800	6400				
CVS-Ø400-2,2/2P F400	10500	9300	7700				
CVS-Ø450-1,1/2P F400	9500	8500	6750				
CVS-Ø450-1,5/2P F400	11500	10200	8600	5600			
CVS-Ø450-2,2/2P F400	12500	11300	9600	7000			
CVS-Ø450-3/2P F400	14250	12700	10800				
CVS-Ø500-1,5/2P F400	11000	10500	8100	6100			
CVS-Ø500-2,2/2P F400	13000	12000	10200	8200			
CVS-Ø500-3/2P F400	15500	14200	12500	10600	6800		
CVS-Ø500-4/2P F400	17000	14900	14000	12000	8300		
CVS-Ø500-5,5/2P F400	20000	18200	16000	12800	10200		
CVS-Ø560-2,2/2P F400	14000	12600	10700	8750	5700		
CVS-Ø560-3/2P F400	17000	15600	14000	11800	8900		
CVS-Ø560-4/2P F400	20500	19000	17400	15200	12200		
CVS-Ø560-5,5/2P F400	23000	21400	19400	15300	14600		
CVS-Ø560-7,5/2P F400	26500	24000	22000	19700	17000		

**PERFORMANCES**

MODEL	AIRFLOW ( m³/h )						
	0 Pa	150 Pa	300 Pa	450 Pa	600 Pa	750 Pa	900 Pa
CVS-Ø630-5,5/2P F400	25500	24000	21600	19000	15800		
CVS-Ø630-7,5/2P F400	30000	26000	24400	22800	21200	19400	17500
CVS-Ø630-11/2P F400	29400	27200	24800	22000	184000	13400	
CVS-Ø630-15/2P F400	31000	29400	27700	26000	24000	22000	19800
CVS-Ø630-18,5/2P F400	34250	32600	31000	29000	27000	24400	21700
CVS-Ø710-1,5/4P F400	19000	14800	7800				
CVS-Ø710-2,2/4P F400	23000	17900					
CVS-Ø710-3/4P F400	25000	20200					
CVS-Ø710-4/4P F400	28000	24600	19750				
CVS-Ø710-5,5/4P F400	30000	24000					
CVS-Ø800-2,2/4P F400	26000	20000					
CVS-Ø800-3/4P F400	30500	24500	13000				
CVS-Ø800-4/4P F400	34000	29000	23000				
CVS-Ø800-5,5/4P F400	38000	32300	20000				
CVS-Ø800-7,5/4P F400	40000	35500	30000				
CVS-Ø900-4/4P F400	40000	33000	24500				
CVS-Ø900-5,5/4P F400	44000	38000	30000				
CVS-Ø900-7,5/4P F400	47500	41500	32700				
CVS-Ø900-11/4P F400	52500	48000	42000	30000			
CVS-Ø900-15/4P F400	55000	50000	45500	35500			
CVS-Ø1000-7,5/4P F400	56000	50000	42500	27000			
CVS-Ø1000-11/4P F400	58000	53000	47500	38000			
CVS-Ø1000-15/4P F400	69500	62000	57000	50000			
CVS-Ø1000-18,5/4P F400	66000	64000	59600	50000			
CVS-Ø1000-22/4P F400	74000	67000	60000	48500			
CVS-Ø1120-15/4P F400	75000	69500	63000	55500	44000		
CVS-Ø1120-18,5/4P F400	81000	75500	69000	61500	50000		
CVS-Ø1120-22/4P F400	87000	82300	75000	67000	56000		
CVS-Ø1120-30/4P F400	98000	90000	82500	70000			
CVS-Ø1120-37/4P F400	108000	102000	94000	80000			
CVS-Ø1250-18,5/4P F400	86000	80000	73000	62000	46000		
CVS-Ø1250-22/4P F400	93000	87000	80000	73500	65000		
CVS-Ø1250-30/4P F400	106000	99000	90000	78000	60000		
CVS-Ø1250-37/4P F400	122000	115000	105000	93000	68000		
CVS-Ø1250-45/4P F400	128000	121000	114000	105000	92000		