

EC BOX KT CABINET FANS

ENERGY
EFFICIENT
LONG LIFE



PRODUCT FEATURES

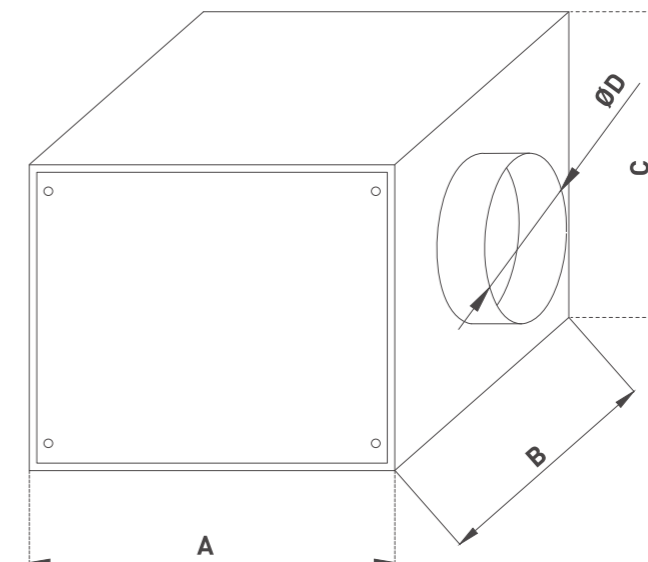
- Yüksek verimli EC fan High efficient EC fan
- Hız kontrolüne uygun Suitable for speed control
- Düşük ses seviyesi Low sound level
- Özel ses ve ısı izolasyonlu gövde Sound and thermal insulated case
- Her açıda montaj imkanı Possibility of mounting from any angle

TECHNICS

MODEL	EC BOX KT 05	EC BOX KT 08	EC BOX KT 11	EC BOX KT 15	EC BOX KT 21	EC BOX KT 31	EC BOX KT 41
VOLTAGE (V)	230	230	230	230	230	230	230
FREQUENCY (Hz)	50	50	50	50	50	50	50
POWER (kW)	0,085	0,17	0,17	0,168	0,46	0,5	0,5
CURRENT (A)	0,4	0,57	0,73	1	1,83	2,4	6
SPEED (rpm)	2600	2660	2670	2700	2720	1370	1250
AIR FLOW (m ³ /h)	1015	1300	1430	2335	3070	3680	5770
SOUND PL (dB) 3m	53	54	60	61	66	56	65

PERFORMANCES

MODEL	AIRFLOW (m ³ /h)			
	0 Pa	100 Pa	200 Pa	300 Pa
EC BOX KT 05	1015	880	730	470
EC BOX KT 08	1300	1210	1105	980
EC BOX KT 11	1430	1330	1215	1040
EC BOX KT 15	2335	2050	1630	1130
EC BOX KT 21	3070	2910	2730	2500
EC BOX KT 31	3680	3500	3260	3020
EC BOX KT 41	5770	5130	4460	3750



DIMENSIONS

MODEL	A	B	C	ØD
EC BOX KT 05	335	335	310	200
EC BOX KT 08	335	335	310	200
EC BOX KT 11	400	400	340	200
EC BOX KT 15	490	490	410	300
EC BOX KT 21	490	490	410	300
EC BOX KT 31	700	700	700	400
EC BOX KT 41	700	700	700	450