

EC BOX CABINET FANS

ENERGY
EFFICIENT
LONG LIFE



PRODUCT FEATURES

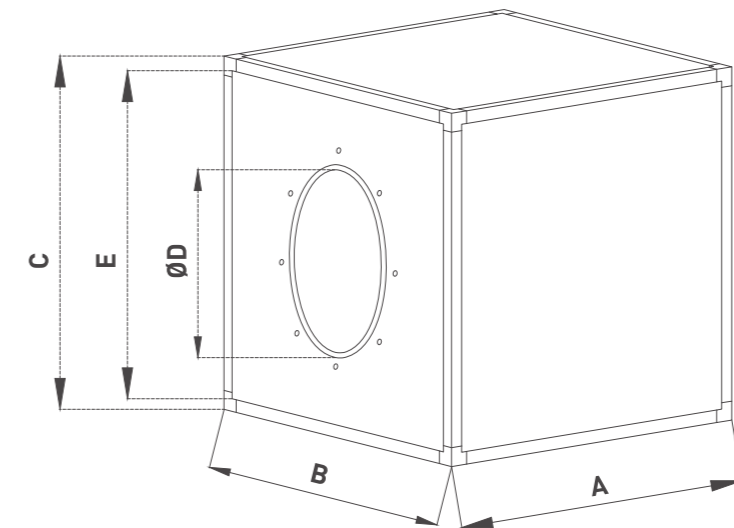
- EC yüksek verimli fan High efficient EC fan
- Kendinden hız kontrollü Self speed control
- Düşük ses seviyesi Low sound level
- Modüler sistem Modular system
- Her açıda montaj imkanı Possibility of mounting from any angle

TECHNICS

MODEL	EC BOX 20	EC BOX 30	EC BOX 50	EC BOX 70	EC BOX 100	EC BOX 120	EC BOX 150
VOLTAGE (V)	230	230	380	380	380	380	380
FREQUENCY (Hz)	50	50	50	50	50	50	50
POWER (kW)	0,5	0,5	1,92	1,32	2,6	2,36	2,7
CURRENT (A)	2,2	2,2	2,9	2,1	4	3,65	4,15
SPEED (rpm)	2360	1500	2870	1350	1700	1540	1300
AIR FLOW (m ³ /h)	3250	4750	7000	10500	12000	13800	17000
SOUND PL (dB) 3m	54	55	63	60	66	64	65

PERFORMANCES

MODEL	AIRFLOW (m ³ /h)			
	0 Pa	100 Pa	200 Pa	300 Pa
EC BOX 20	3250	3050	2900	2600
EC BOX 30	4750	4400	3990	3400
EC BOX 50	7000	6600	6200	6000
EC BOX 70	10500	9500	8800	7800
EC BOX 100	12000	11500	11000	10400
EC BOX 120	13800	13000	12400	11800
EC BOX 150	17000	16000	15500	14500



DIMENSIONS

MODEL	A	B	C	E	ØD
EC BOX 20	700	700	700	620	355
EC BOX 30	700	700	700	620	400
EC BOX 50	700	700	700	620	450
EC BOX 70	800	800	800	720	500
EC BOX 100	800	800	800	720	560
EC BOX 120	1000	1000	1000	920	630
EC BOX 150	1000	1000	1000	920	630