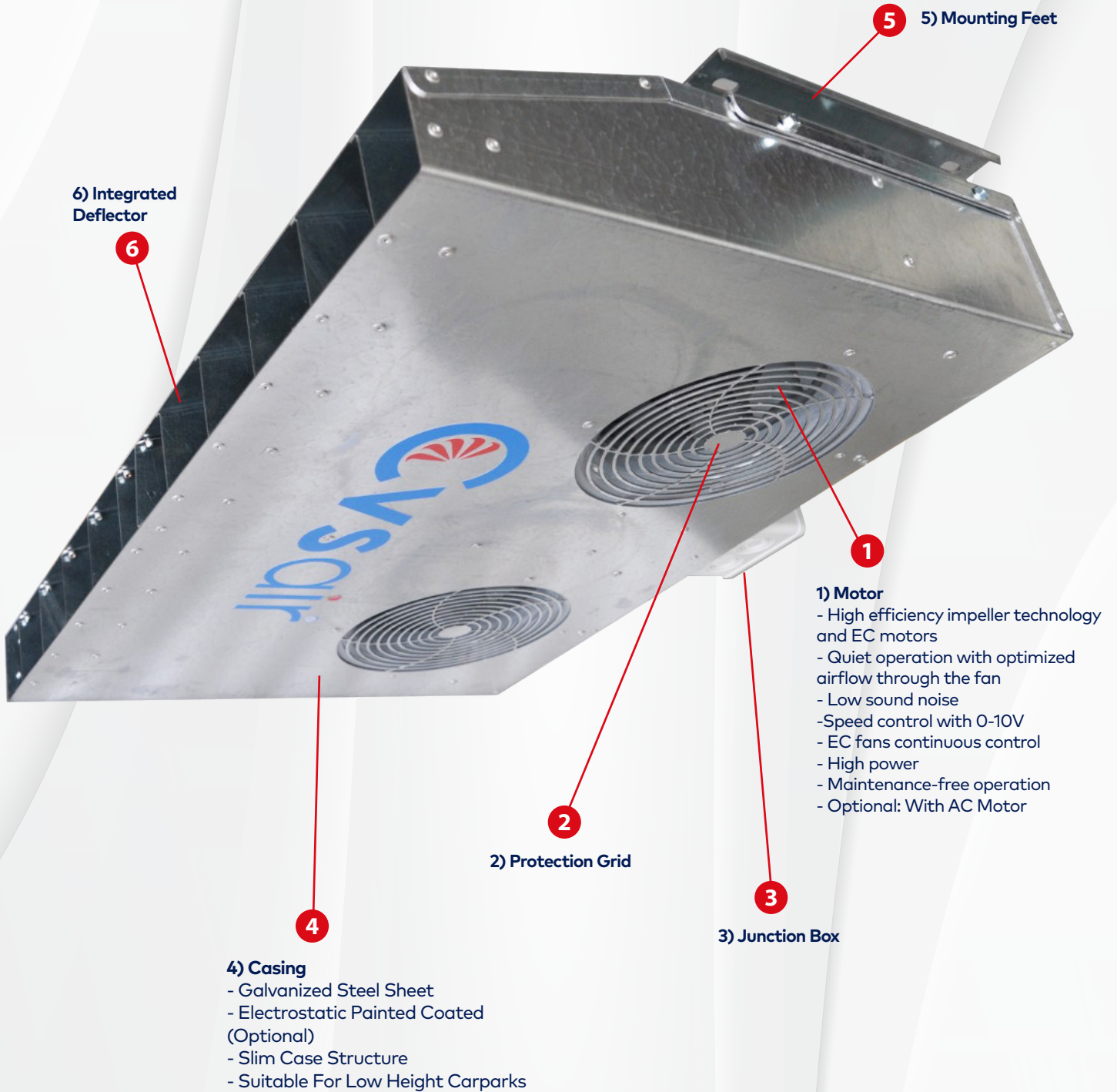


Cvsair | **SMART JET FAN**

www.cvsair.com.tr sales@cvsair.com.tr



SMART JET FAN



6) Integrated Deflector

6

5

5) Mounting Feet

1

1) Motor

- High efficiency impeller technology and EC motors
- Quiet operation with optimized airflow through the fan
- Low sound noise
- Speed control with 0-10V
- EC fans continuous control
- High power
- Maintenance-free operation
- Optional: With AC Motor

2

2) Protection Grid

3

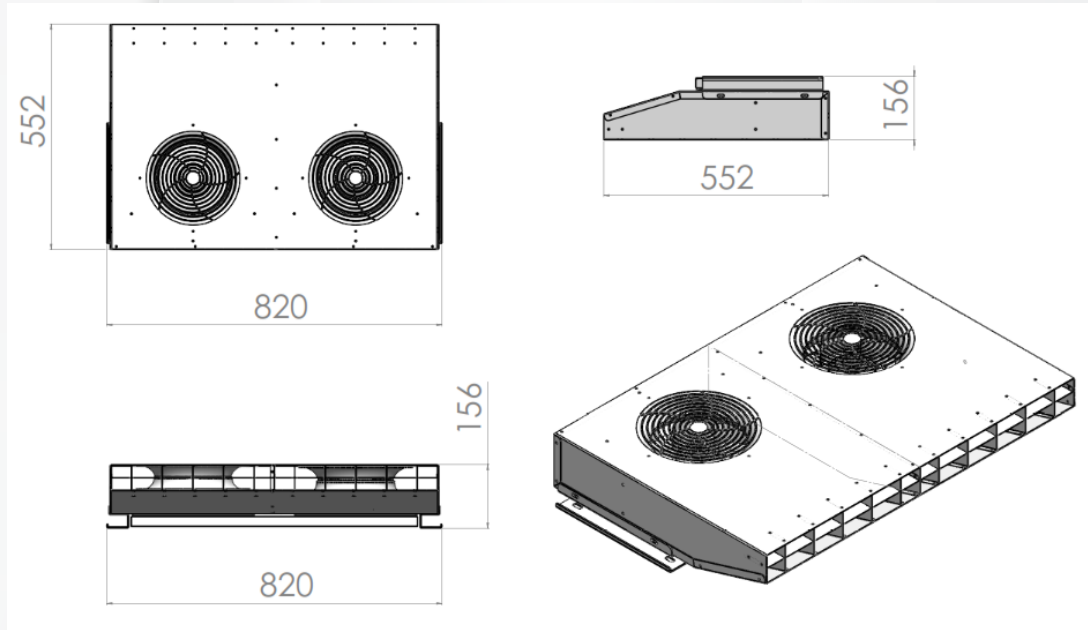
3) Junction Box

4

4) Casing

- Galvanized Steel Sheet
- Electrostatic Painted Coated (Optional)
- Slim Case Structure
- Suitable For Low Height Carparks

SMART JET FAN



Production Code	CVS-RJ 250 EC	Insulation Class	B
Motor Type	EC	Nominal Speed	2565rpm
Input Power	340W	Max Airflow	2400m ³ /h
Phase/Voltage	1Ph / 230V	Thrust	14N
Motor Frequency	50/60Hz	Protection Class	IP 54
Nominal Current	2,8A	Weight	24kg



Cvsair[®]